
2 Parts and diagrams

- [Order parts, accessories, and supplies](#)
- [Orderable parts](#)
- [Whole unit replacement \(WUR\)](#)
- [Service parts](#)
- [Related documentation and software](#)
- [How to use the parts lists and diagrams](#)
- [Scanner and document feeder main assembly](#)
- [Covers](#)
- [Internal assemblies](#)
- [Accessories](#)
- [Alphabetical parts list](#)
- [Numerical parts list](#)

Order parts, accessories, and supplies

You can obtain the following items directly from HP:

- **Replacement parts:** To order replacement parts in the U.S., go to www.hp.com/go/hpparts/. Outside the United States, order parts by contacting your local authorized HP service center.
- **Supplies and accessories:** To order supplies in the U.S., go to www.hp.com/go/ljsupplies. To order supplies worldwide, go to www.hp.com/ghp/buyonline.html. To order accessories, go to www.hp.com/support/lj400colorMFPM476.

Orderable parts

Accessories

The following list of accessories was current at the time of printing. Ordering information and availability of the accessories might change during the life of the product.

Table 2-1 Accessories

Item	Description	Part number
Paper-handling accessories	Optional Tray 3 feeder assembly main body (includes paper cassette)	CE863-67901
	250-sheet paper cassette (optional Tray 3)	RM1-8544-000
Cable	2-meter A-to-B USB cable	8121-0868

Toner cartridges

Table 2-2 Toner cartridges

Description	Cartridge number	Part number (service)
High-capacity black toner cartridge with HP ColorSphere toner	CF380X	CF380-67901
Standard-capacity black toner cartridge with HP ColorSphere toner	CF380A	CF380-67902
Cyan toner cartridge with HP ColorSphere toner	CF381A	CF381-67901
Yellow toner cartridge with HP ColorSphere toner	CF382A	CF382-67901
Magenta toner cartridge with HP ColorSphere toner	CF383A	CF383-67901



NOTE: For information about the yield for the cartridges, see www.hp.com/go/pageyield. Actual yield depends on specific use.

Customer self repair (CSR) and service kits

Table 2-3 Customer self repair (CSR) and service kits

Description	Part number
Cover, DIMM	RC4-2852-000
Paper cassette (Tray 2)	RM2-5469-000
250-sheet paper cassette (optional Tray 3)	RM1-8544-000
Optional Tray 3 feeder assembly main body (includes paper cassette)	CE863-67901
2-meter A-to-B USB cable	8121-0868

Whole unit replacement (WUR)

Table 2-4 Pro 400 Color MFP M476 nw

Description	Part number
Prod-Replacement 110V M476nw WUR BR	CF385-67019
Prod-Replacement 220V M476nw WUR CN/MY	CF385-67023
Prod-Exchange 220V M476nw WUR EMEA	CF385-69001
Prod-Exchange 110V M476nw WUR NAR/TW	CF385-69002
Prod-Exchange 220V M476nw WUR AP	CF385-69003
Prod-Exchange 220V M476nw WUR LAR	CF385-69004

Table 2-5 Pro 400 Color MFP M476 dn

Description	Part number
Prod-Exchange 220V M476dn WUR EMEA	CF386-69001
Prod-Exchange 110V M476dn WUR NAR	CF386-69002

Table 2-6 Pro 400 Color MFP M476 dw

Description	Part number
Prod-Replacement 220V M476dw WUR CN/MY	CF387-67022
Prod-Replacement 110V M476dw WUR BR	CF387-67023
Prod-Exchange 220V M476dw WUR EMEA	CF387-69001
Prod-Exchange 110V M476dw WUR NAR/TW	CF387-69002
Prod-Exchange 220V M476dw WUR AP	CF387-69003
Prod-Exchange 220V M476dw WUR LAR	CF387-69004

Service parts

The following service parts are not shown in the exploded view diagrams sections.

Table 2-7 Service parts

Description	Part number
Assy-Control Panel NFC (M476dw)	CF387-60114
Assy-Control Panel Non-NFC (M476nw, M476dn)	CF385-60101


Related documentation and software


Table 2-8 Related documentation and software

Item	Description	Part number
<i>HP Color LaserJet Pro MFP M476 User Guide</i>	Product user guide.	CF385-90907
<i>HP Color LaserJet Pro MFP M476 Repair Manual</i>	English service manual (this manual)	N/A

How to use the parts lists and diagrams

The figures in this chapter show the major subassemblies in the product and their component parts. A parts list table follows each exploded view assembly diagram. Each table lists the item number, the associated part number, and the description of each part. If a part is not listed in the table, then it is not a field replacement unit (FRU).

 **CAUTION:** Be sure to order the correct part. When looking for part numbers for electrical components, pay careful attention to the voltage that is listed in the description column. Doing so will ensure that the part number selected is for the correct all-in-one model.

 **NOTE:** In this manual, the abbreviation “PCA” stands for “printed circuit-board assembly.” Components described as a PCA might consist of a single circuit board or a circuit board plus other parts, such as cables and sensors.

Scanner and document feeder main assembly

Figure 2-1 Scanner and document feeder main assembly

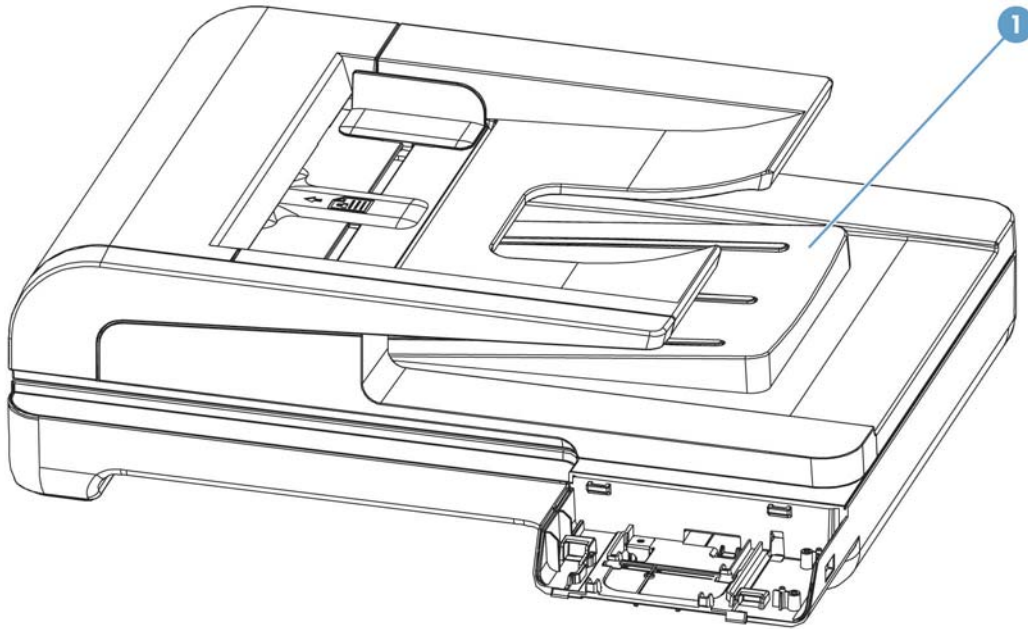


Table 2-9 Scanner and document feeder main assembly

Ref	Description	Part number	Qty
1	Scanner assembly/ADF	CF387-60106	1

Covers

Figure 2-2 External panels and covers

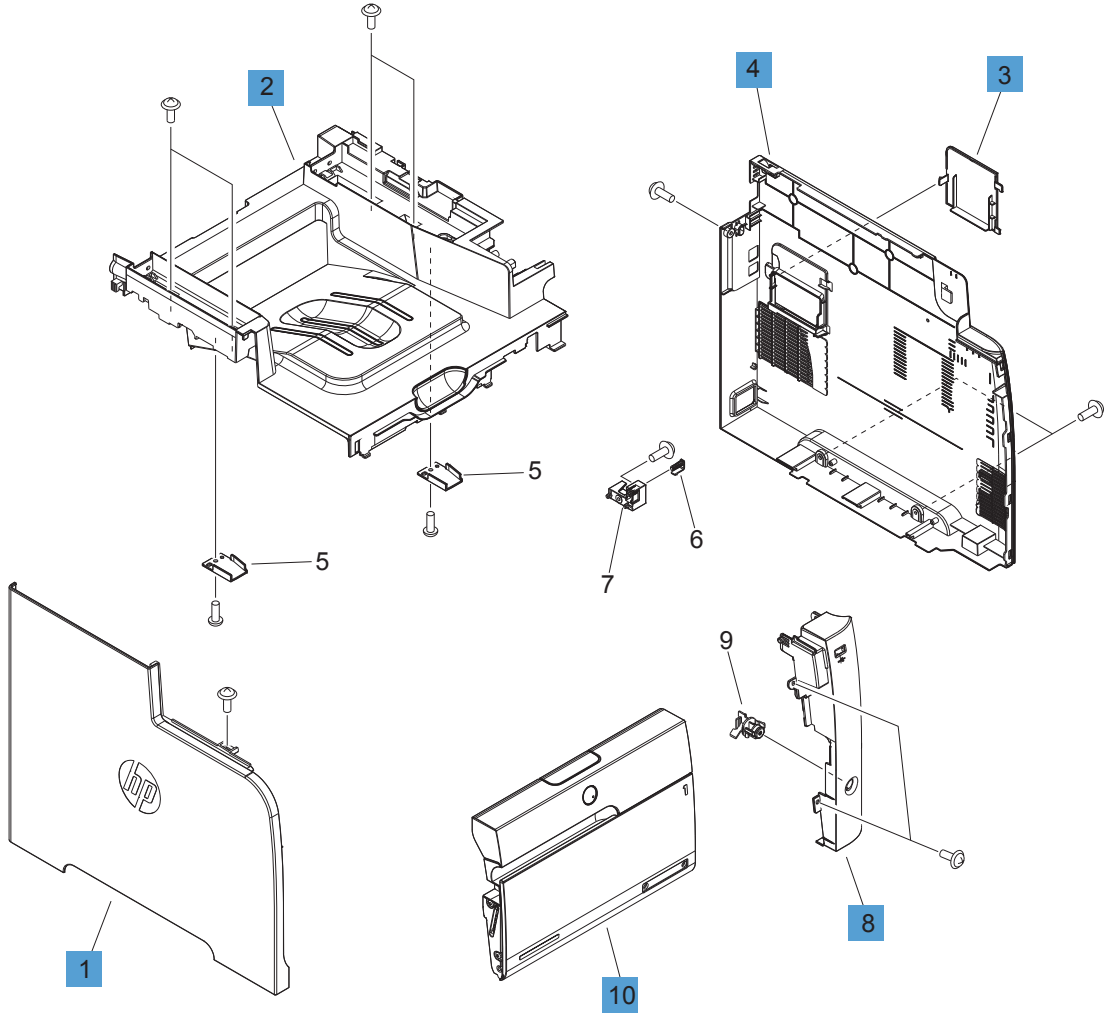


Table 2-10 Covers

Ref	Description	Part number	Qty
1	Cover, left	RL1-3063-000	1
2	Cover, top assembly	RM2-5300-000	1
3	Cover, DIMM	RC4-2852-000	1
4	Cover, right	RC4-2855-000	1
8	Cover, right front	RC4-2860-000	1
10	Door, front assembly	RM2-5301-000	1

Internal assemblies

Internal assemblies (1 of 7)

Figure 2-3 Internal assemblies (1 of 7)

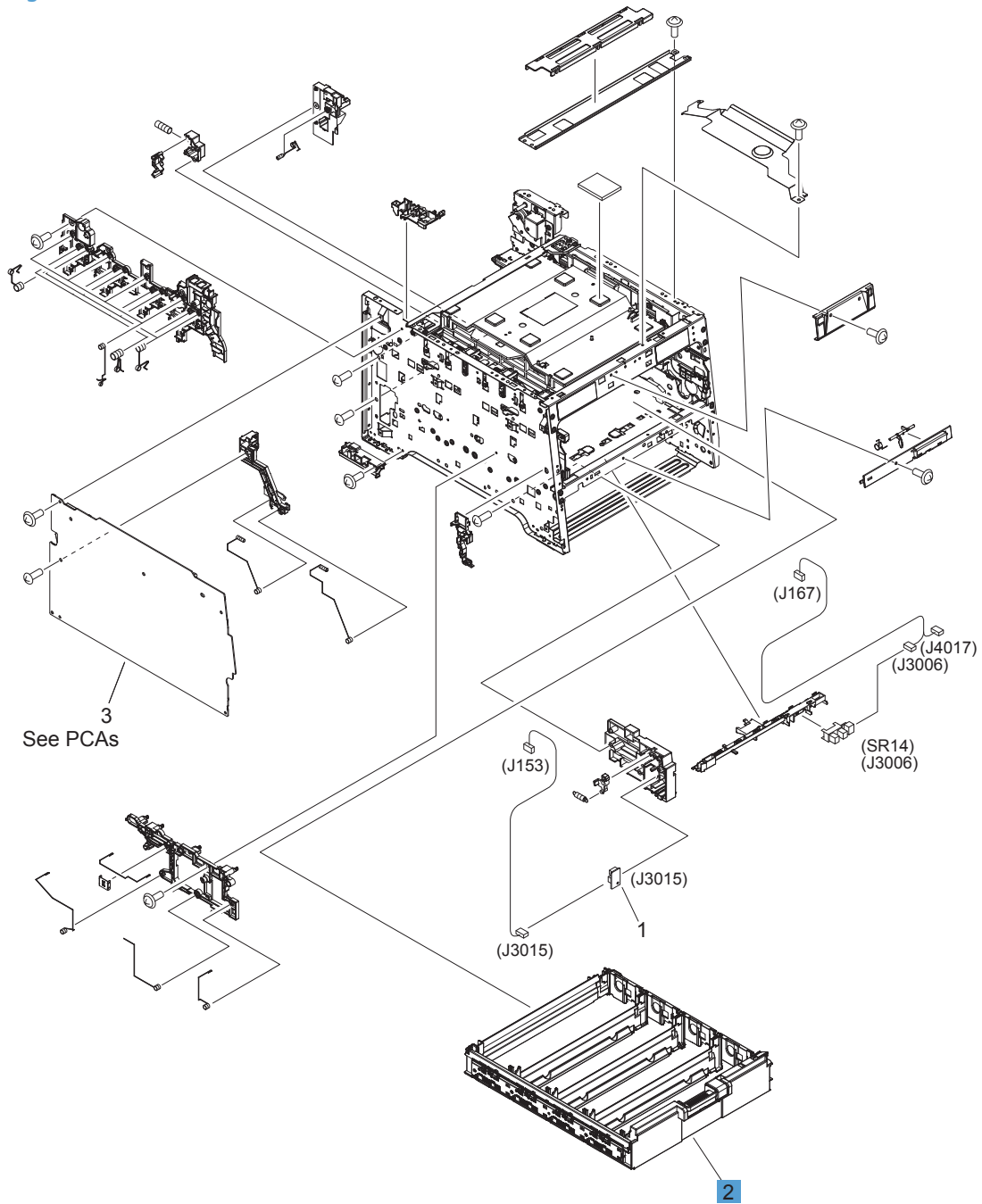


Table 2-11 Internal assemblies (1 of 7)

Ref	Description	Part number	Qty
2	Cartridge-tray assembly	RM2-5299-000	1

Internal assemblies (2 of 7)

Figure 2-4 Internal assemblies (2 of 7)

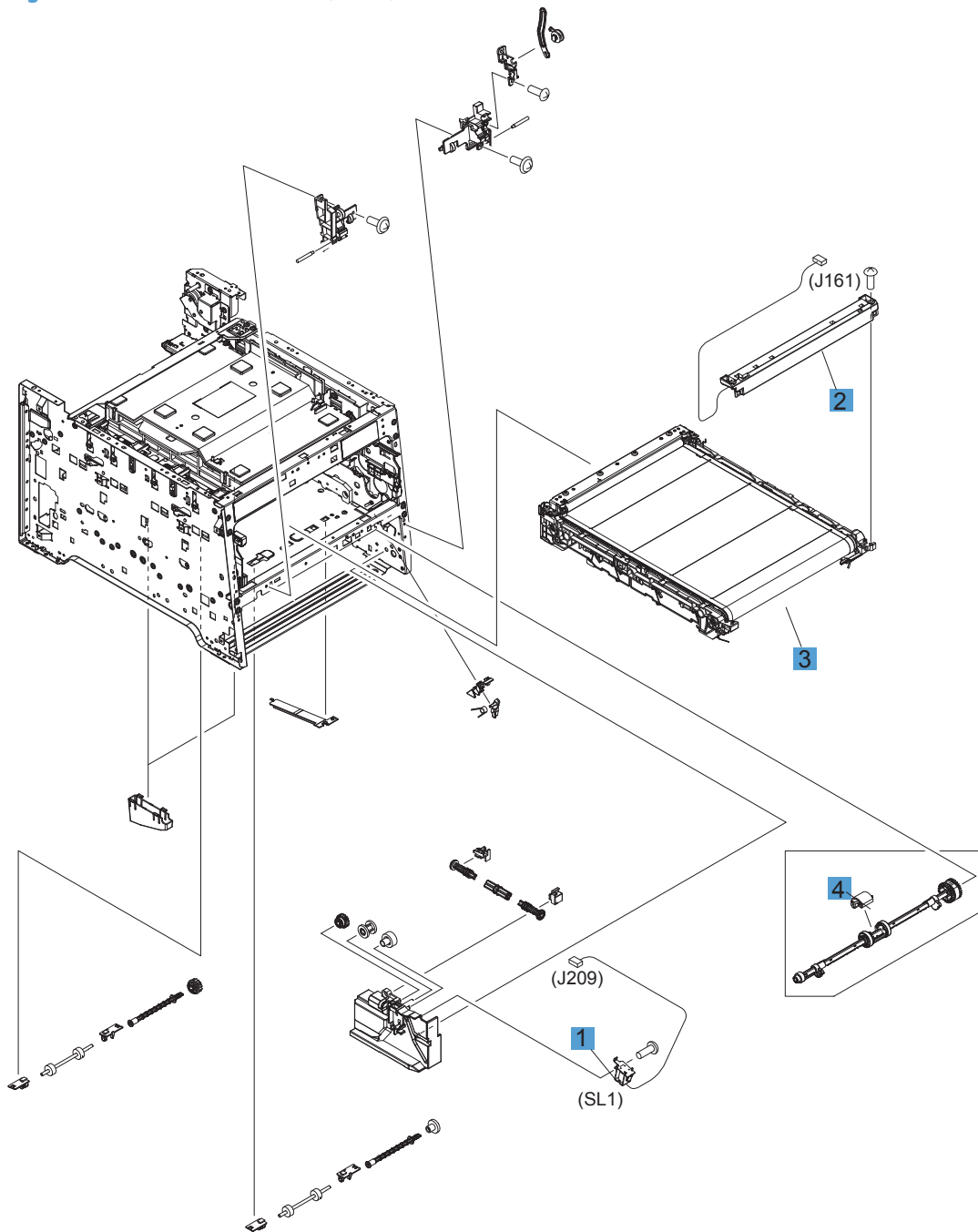


Table 2-12 Internal assemblies (2 of 7)

Ref	Description	Part number	Qty
1	Solenoid, Tray 1 (MP)	RM1-5420-000	1
2	Color misregistration sensor assembly	RM1-8029-000	1
3	Intermediate transfer belt (ITB)	RM2-0192-000	1
4	Roller, paper-pickup Tray 1	RL1-1802-000	1

Internal assemblies (3 of 7)

Figure 2-5 Internal assemblies (3 of 7)

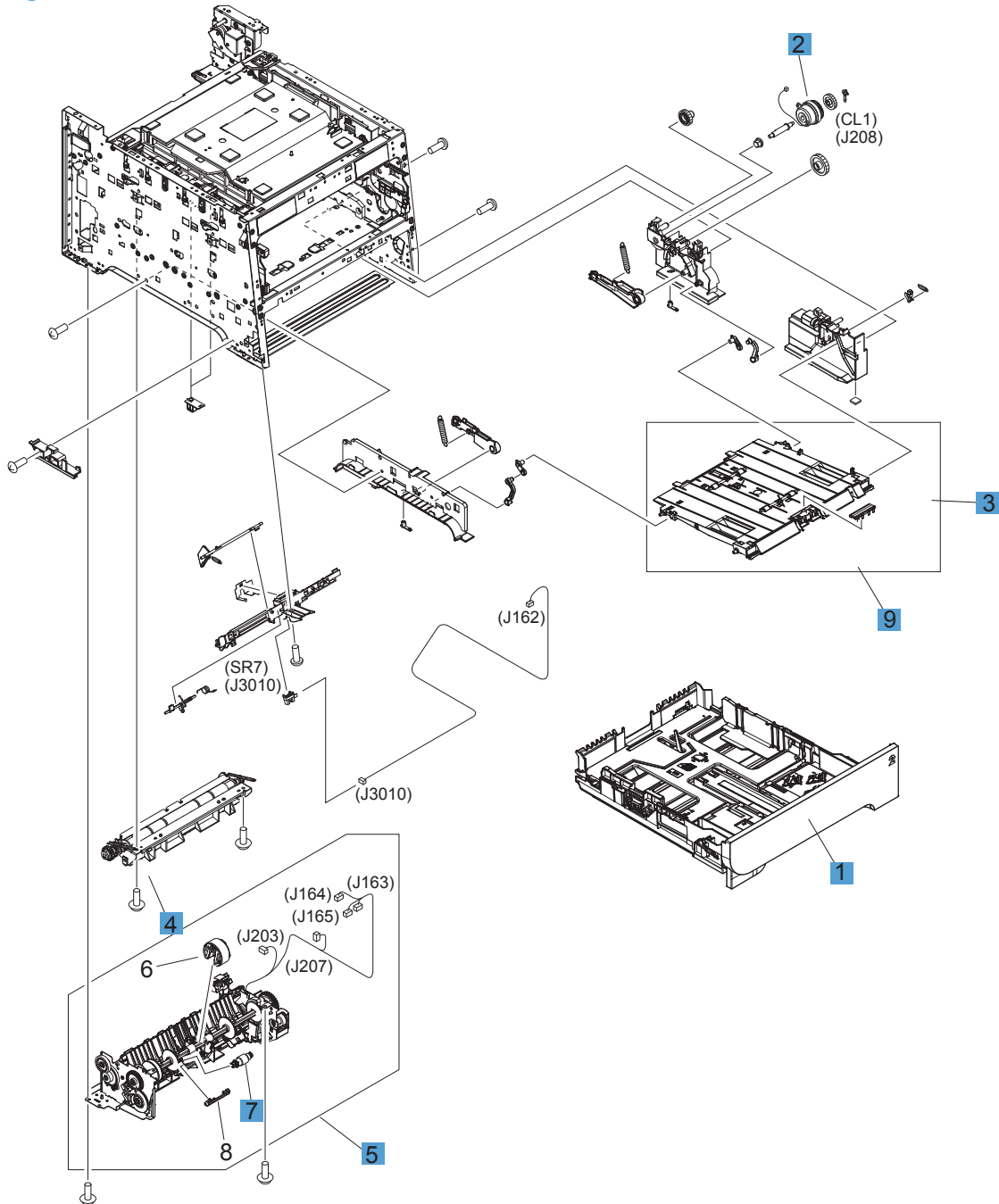


Table 2-13 Internal assemblies (3 of 7)

Ref	Description	Part number	Qty
1	Cassette, Tray 2	RM2-5469-000	1
2	Multi purpose clutch assembly	RM1-8318-000	1
3	Pad, separation Tray 1	RL1-1785-000	1
4	Registration assembly	RM1-4841-000	1
5	Paper pickup assembly	RM1-8045-000	1
6	Tray 2 paper pickup roller assembly	RM1-8047-000	1
7	Tray 2 separation roller assembly	RM1-4840-000	1
9	Multi purpose tray assembly	RM1-8610-000	1

Internal assemblies (4 of 7)

Figure 2-6 Internal assemblies (4 of 7)

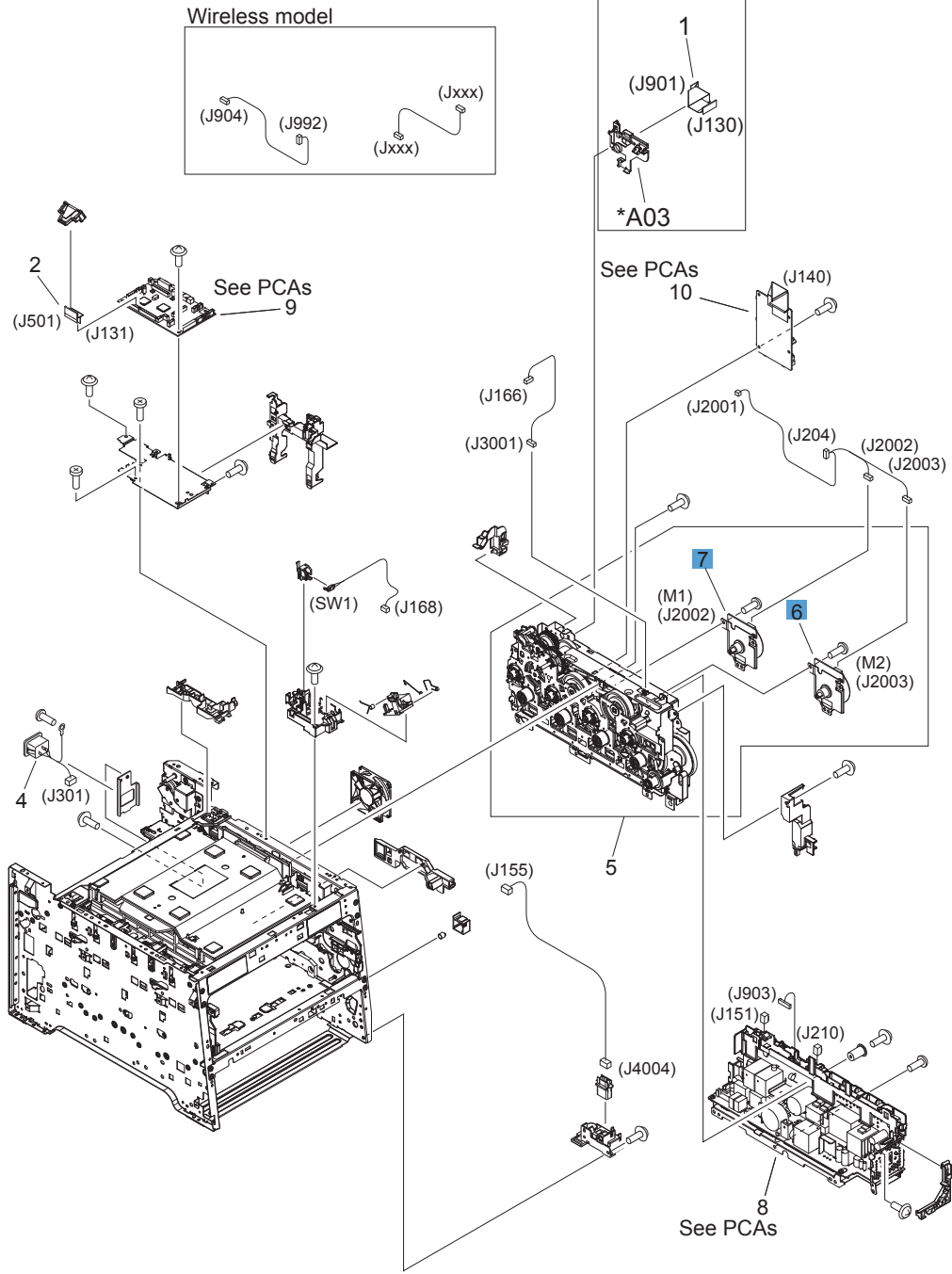


Table 2-14 Internal assemblies (4 of 7)

Ref	Description	Part number	Qty
6	Motor, developer DC (M1)	RL1-3053-000	1
7	Motor, drum DC (M2)	RL1-1800-000	1
8	Fan	RK2-3847-000	1

Internal assemblies (5 of 7)

Figure 2-7 Internal assemblies (5 of 7)

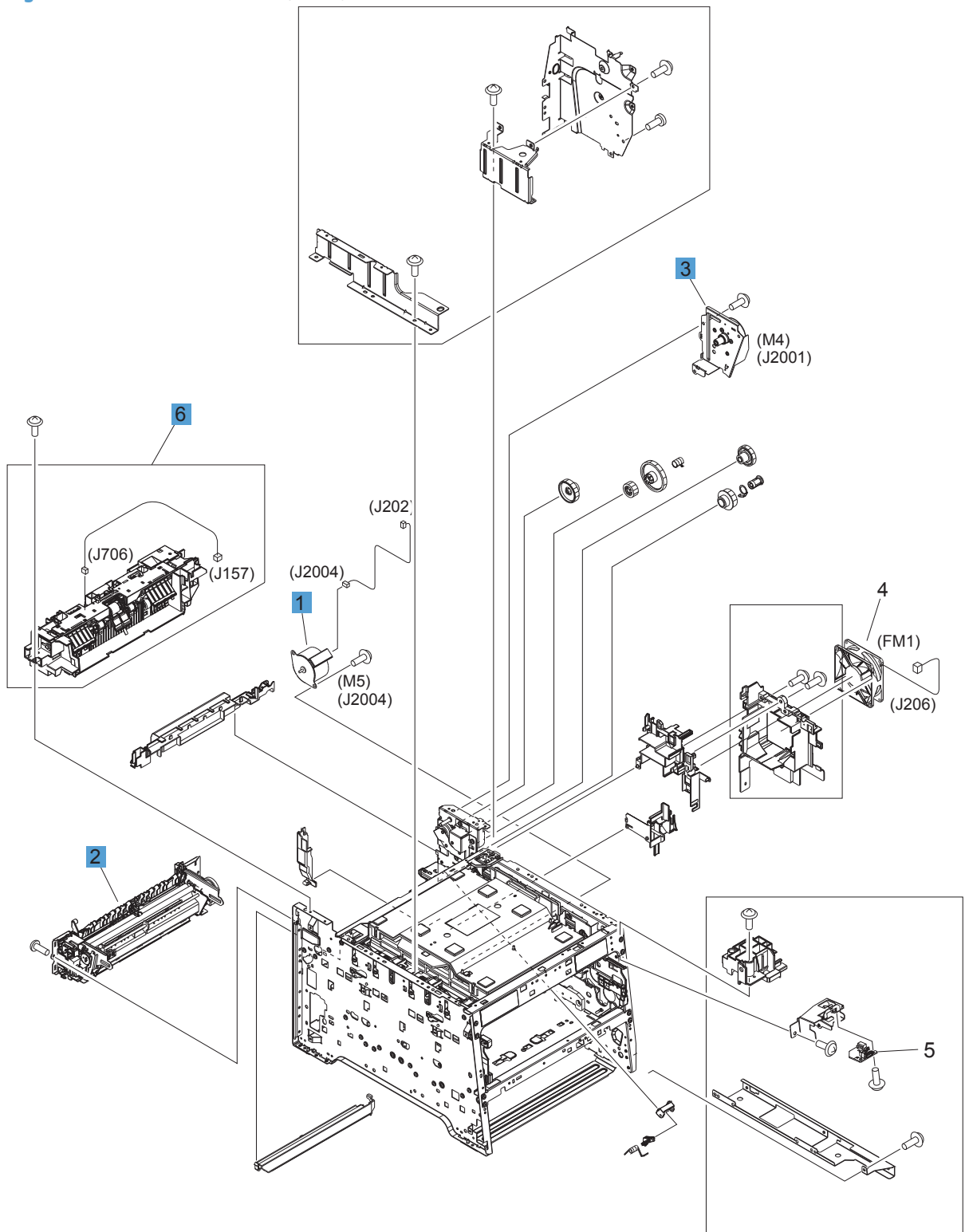


Table 2-15 Internal assemblies (5 of 7)

Ref	Description	Part number	Qty
1	Feed motor assembly	RM1-5419-000	1
2	Fixing assembly (110v)	RM2-5476-000	1
2	Fixing assembly (220v)	RM2-5478-000	1
3	Fixing motor assembly	RM1-8609-000	1
6	Paper delivery assembly	RM1-8049-000	1

Internal assemblies (6 of 7)

Figure 2-8 Internal assemblies (6 of 7)

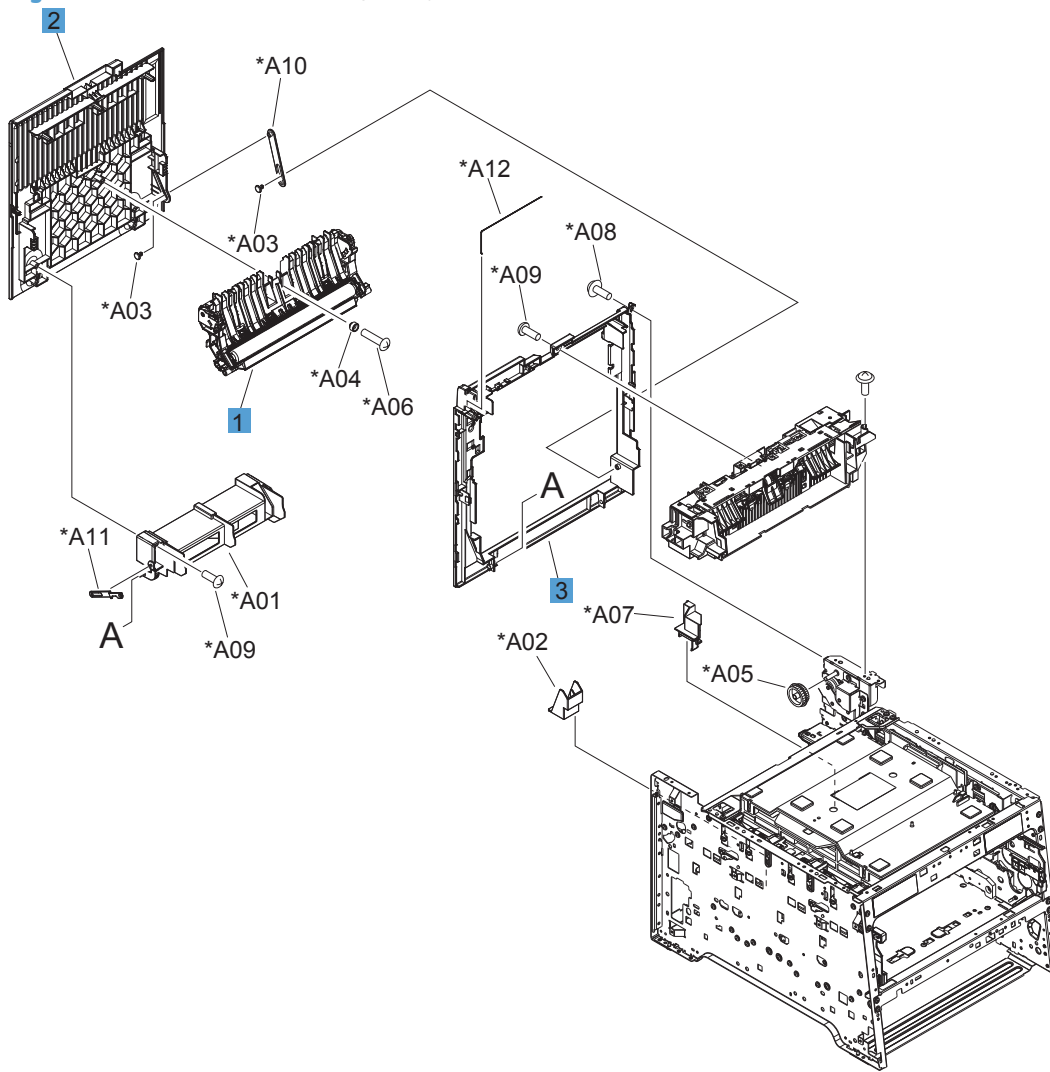


Table 2-16 Internal assemblies (6 of 7)

Ref	Description	Part number	Qty
1	Paper feed guide assembly (simplex model; includes transfer roller)	RM1-8043-000	1
2	Door, rear (simplex model)	RC3-1665-000	1
3	Cover, rear (simplex model)	RL1-3072-000	1

Internal assemblies (7 of 7)

Figure 2-9 Internal assemblies (7 of 7)

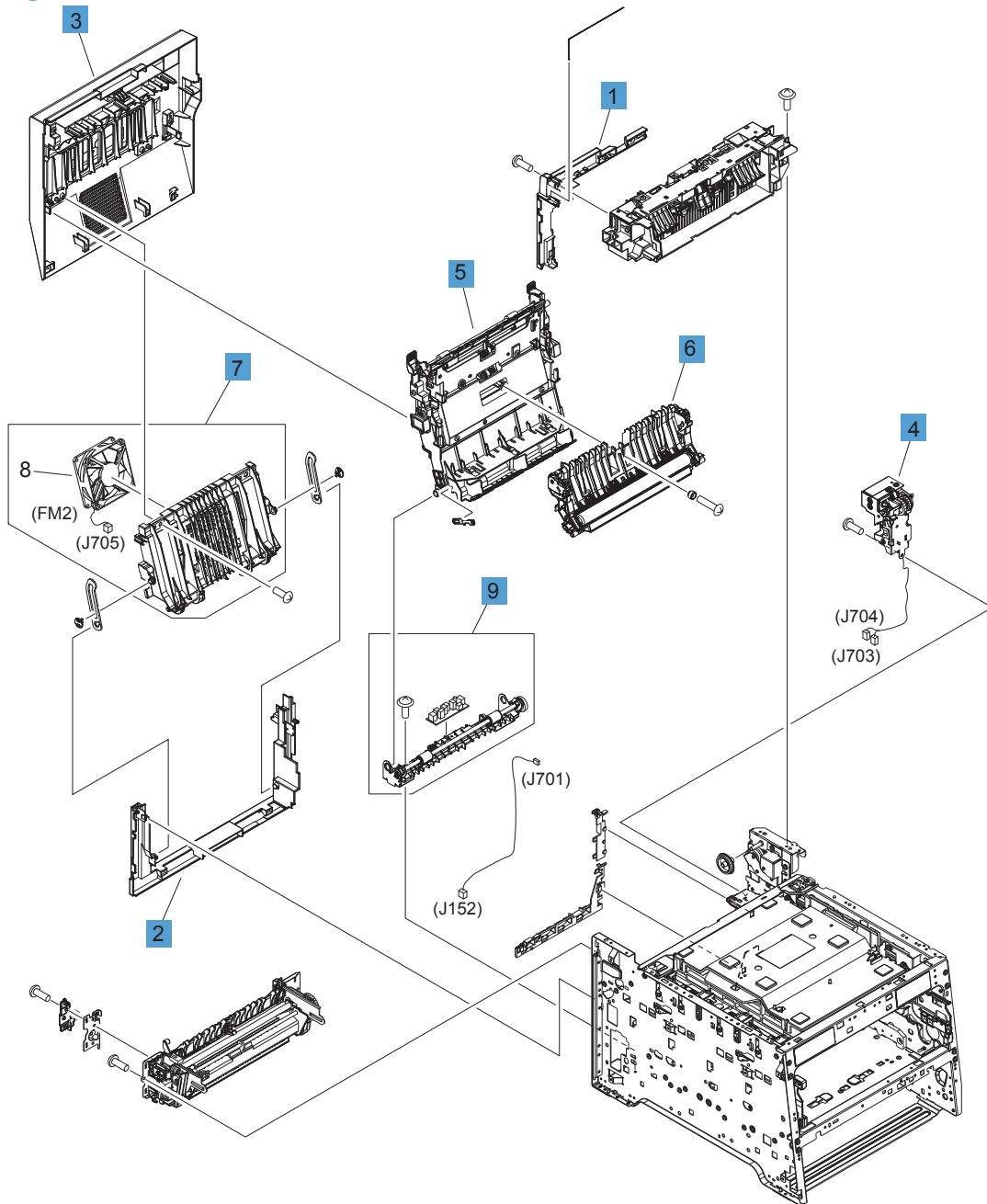


Table 2-17 Internal assemblies (7 of 7)

Ref	Description	Part number	Qty
1	Cover, upper-rear	RL1-3068-000	1
2	Cover, lower-rear	RC3-1700-000	1
3	Door, rear	RM1-8052-000	1
4	Reverse drive assembly	RM1-4880-000	1
5	Feed guide, duplex assembly (includes transfer roller) ¹	RM1-4879-000	1
6	Paper feed guide assembly (includes transfer roller)	RM1-8043-000	1
7	Rib assembly, rear-door	RM1-8053-000	1
9	Paper-pickup guide assembly	RM1-8051-000	1

¹ For a broken link-guide: you must replace either the duplexing-feed guide assembly, or the entire product (the interior paper guide is not replaceable).

PCAs

Figure 2-10 PCAs

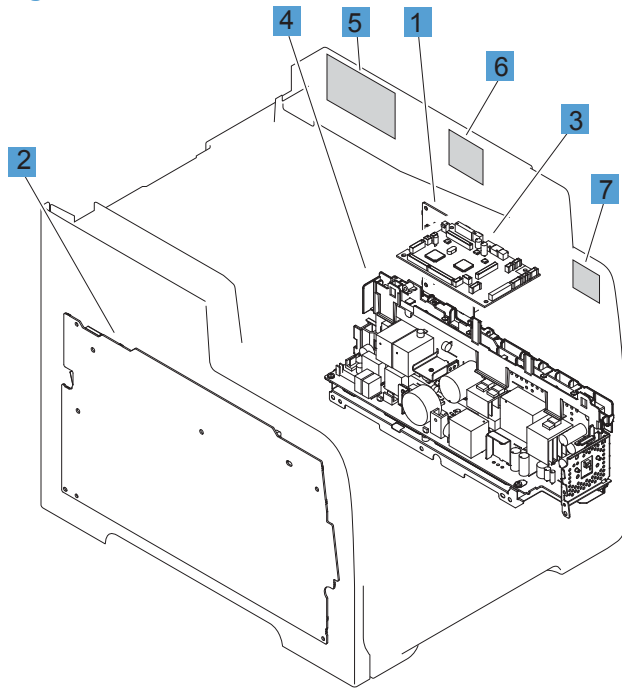


Table 2-18 PCAs

Ref	Description	Part number	Qty
1	Driver PCA	RM1-8032-000	1
2	High-voltage power supply	RM1-8031-000	1
3	DC controller	RM2-8028-000	1
4	Low-voltage power supply (110v)	RM2-8030-000	1
4	Low-voltage power supply (220v)	RM2-8032-000	1
5	Fax PCA (US only)	CF206-60001	1
5	Fax PCA (Europe only)	CF207-60001	1
5	Fax PCA (Brazil only)	CF208-60001	1
6	Wireless controller PCA	1150-7951	1
Not shown	Formatter PCA M476 nw	CF385-60001	1
Not shown	Formatter PCA M476 dn	CF386-60002	1
Not shown	Formatter PCA M476 dw	CF387-60004	1
Not shown	Formatter PCA M476 nw (China only)	CF385-60002	1
Not shown	Formatter PCA M476 dn (China only)	CF386-60003	1
Not shown	Formatter PCA M476 dw (China only)	CF387-60005	1

Accessories

250-sheet paper feeder accessory kit (optional Tray 3)

Figure 2-11 250-sheet paper feeder (optional Tray 3)

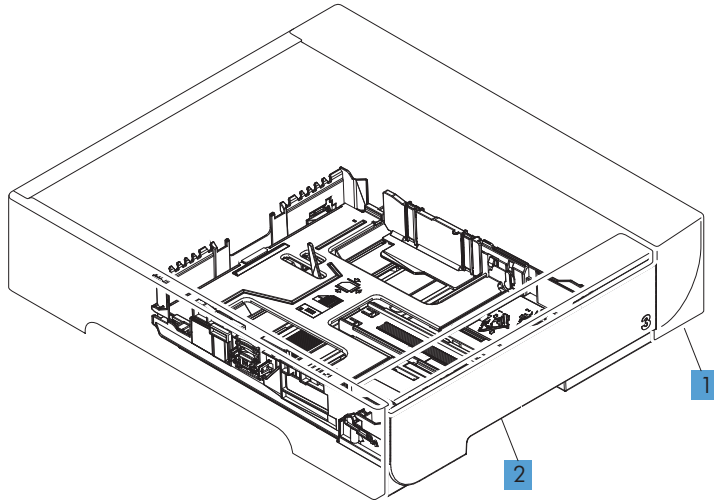


Table 2-19 250-sheet paper feeder accessory kit (optional Tray 3)

Ref	Description	Part number	Qty
1	Tray 3 feeder assembly main body (includes paper cassette)	CE863-67901	1
2	Tray 3 paper cassette only	RM1-8544-000	1

Alphabetical parts list

Table 2-20 Alphabetical parts list

Description	Part number	Table and page
Cartridge-tray assembly	RM2-5299-000	Internal assemblies (1 of 7) on page 119
Cassette, Tray 2	RM2-5469-000	Internal assemblies (3 of 7) on page 123
Color misregistration sensor assembly	RM1-8029-000	Internal assemblies (2 of 7) on page 121
Cover, DIMM	RC4-2852-000	Covers on page 117
Cover, left	RL1-3063-000	Covers on page 117
Cover, lower-rear	RC3-1700-000	Internal assemblies (7 of 7) on page 131
Cover, rear (simplex model)	RL1-3072-000	Internal assemblies (6 of 7) on page 129
Cover, right	RC4-2855-000	Covers on page 117
Cover, right front	RC4-2860-000	Covers on page 117
Cover, top assembly	RM2-5300-000	Covers on page 117
Cover, upper-rear	RL1-3068-000	Internal assemblies (7 of 7) on page 131
DC controller	RM2-8028-000	PCAs on page 133
Door, front assembly	RM2-5301-000	Covers on page 117
Door, rear	RM1-8052-000	Internal assemblies (7 of 7) on page 131
Door, rear (simplex model)	RC3-1665-000	Internal assemblies (6 of 7) on page 129
Driver PCA	RM1-8032-000	PCAs on page 133
Fan	RK2-3847-000	Internal assemblies (4 of 7) on page 125
Fax PCA (Brazil only)	CF208-60001	PCAs on page 133
Fax PCA (Europe only)	CF207-60001	PCAs on page 133
Fax PCA (US only)	CF206-60001	PCAs on page 133
Feed guide, duplex assembly (includes transfer roller) ¹	RM1-4879-000	Internal assemblies (7 of 7) on page 131
Feed motor assembly	RM1-5419-000	Internal assemblies (5 of 7) on page 127
Fixing assembly (110v)	RM2-5476-000	Internal assemblies (5 of 7) on page 127
Fixing assembly (220v)	RM2-5478-000	Internal assemblies (5 of 7) on page 127

Table 2-20 Alphabetical parts list (continued)

Description	Part number	Table and page
Fixing motor assembly	RM1-8609-000	Internal assemblies (5 of 7) on page 127
Formatter PCA M476 dn	CF386-60002	PCAs on page 133
Formatter PCA M476 dn (China only)	CF386-60003	PCAs on page 133
Formatter PCA M476 dw	CF387-60004	PCAs on page 133
Formatter PCA M476 dw (China only)	CF387-60005	PCAs on page 133
Formatter PCA M476 nw	CF385-60001	PCAs on page 133
Formatter PCA M476 nw (China only)	CF385-60002	PCAs on page 133
High-voltage power supply	RM1-8031-000	PCAs on page 133
Intermediate transfer belt (ITB)	RM2-0192-000	Internal assemblies (2 of 7) on page 121
Low-voltage power supply (110v)	RM2-8030-000	PCAs on page 133
Low-voltage power supply (220v)	RM2-8032-000	PCAs on page 133
Motor, developer DC (M1)	RL1-3053-000	Internal assemblies (4 of 7) on page 125
Motor, drum DC (M2)	RL1-1800-000	Internal assemblies (4 of 7) on page 125
Multi purpose clutch assembly	RM1-8318-000	Internal assemblies (3 of 7) on page 123
Multi purpose tray assembly	RM1-8610-000	Internal assemblies (3 of 7) on page 123
Pad, separation Tray 1	RL1-1785-000	Internal assemblies (3 of 7) on page 123
Paper delivery assembly	RM1-8049-000	Internal assemblies (5 of 7) on page 127
Paper feed guide assembly (includes transfer roller)	RM1-8043-000	Internal assemblies (7 of 7) on page 131
Paper feed guide assembly (simplex model; includes transfer roller)	RM1-8043-000	Internal assemblies (6 of 7) on page 129
Paper pickup assembly	RM1-8045-000	Internal assemblies (3 of 7) on page 123
Paper-pickup guide assembly	RM1-8051-000	Internal assemblies (7 of 7) on page 131
Registration assembly	RM1-4841-000	Internal assemblies (3 of 7) on page 123
Reverse drive assembly	RM1-4880-000	Internal assemblies (7 of 7) on page 131
Rib assembly, rear-door	RM1-8053-000	Internal assemblies (7 of 7) on page 131
Roller, paper-pickup Tray 1	RL1-1802-000	Internal assemblies (2 of 7) on page 121

Table 2-20 Alphabetical parts list (continued)

Description	Part number	Table and page
Scanner assembly/ADF	CF387-60106	Scanner and document feeder main assembly on page 115
Solenoid, Tray 1 (MP)	RM1-5420-000	Internal assemblies (2 of 7) on page 121
Tray 2 paper pickup roller assembly	RM1-8047-000	Internal assemblies (3 of 7) on page 123
Tray 2 separation roller assembly	RM1-4840-000	Internal assemblies (3 of 7) on page 123
Tray 3 feeder assembly main body (includes paper cassette)	CE863-67901	250-sheet paper feeder accessory kit (optional Tray 3) on page 135
Tray 3 paper cassette only	RM1-8544-000	250-sheet paper feeder accessory kit (optional Tray 3) on page 135
Wireless controller PCA	1150-7951	PCAs on page 133

Numerical parts list

Table 2-21 Numerical parts list

Part number	Description	Table and page
1150-7951	Wireless controller PCA	PCAs on page 133
CE863-67901	Tray 3 feeder assembly main body (includes paper cassette)	250-sheet paper feeder accessory kit (optional Tray 3) on page 135
CF206-60001	Fax PCA (US only)	PCAs on page 133
CF207-60001	Fax PCA (Europe only)	PCAs on page 133
CF208-60001	Fax PCA (Brazil only)	PCAs on page 133
CF385-60001	Formatter PCA M476 nw	PCAs on page 133
CF385-60002	Formatter PCA M476 nw (China only)	PCAs on page 133
CF386-60002	Formatter PCA M476 dn	PCAs on page 133
CF386-60003	Formatter PCA M476 dn (China only)	PCAs on page 133
CF387-60004	Formatter PCA M476 dw	PCAs on page 133
CF387-60005	Formatter PCA M476 dw (China only)	PCAs on page 133
CF387-60106	Scanner assembly/ADF	Scanner and document feeder main assembly on page 115
RC3-1665-000	Door, rear (simplex model)	Internal assemblies (6 of 7) on page 129
RC3-1700-000	Cover, lower-rear	Internal assemblies (7 of 7) on page 131
RC4-2852-000	Cover, DIMM	Covers on page 117
RC4-2855-000	Cover, right	Covers on page 117
RC4-2860-000	Cover, right front	Covers on page 117
RK2-3847-000	Fan	Internal assemblies (4 of 7) on page 125
RL1-1785-000	Pad, separation Tray 1	Internal assemblies (3 of 7) on page 123
RL1-1800-000	Motor, drum DC (M2)	Internal assemblies (4 of 7) on page 125
RL1-1802-000	Roller, paper-pickup Tray 1	Internal assemblies (2 of 7) on page 121
RL1-3053-000	Motor, developer DC (M1)	Internal assemblies (4 of 7) on page 125
RL1-3063-000	Cover, left	Covers on page 117
RL1-3068-000	Cover, upper-rear	Internal assemblies (7 of 7) on page 131
RL1-3072-000	Cover, rear (simplex model)	Internal assemblies (6 of 7) on page 129

Table 2-21 Numerical parts list (continued)

Part number	Description	Table and page
RM1-4840-000	Tray 2 separation roller assembly	Internal assemblies (3 of 7) on page 123
RM1-4841-000	Registration assembly	Internal assemblies (3 of 7) on page 123
RM1-4879-000	Feed guide, duplex assembly (includes transfer roller) ¹	Internal assemblies (7 of 7) on page 131
RM1-4880-000	Reverse drive assembly	Internal assemblies (7 of 7) on page 131
RM1-5419-000	Feed motor assembly	Internal assemblies (5 of 7) on page 127
RM1-5420-000	Solenoid, Tray 1 (MP)	Internal assemblies (2 of 7) on page 121
RM1-8029-000	Color misregistration sensor assembly	Internal assemblies (2 of 7) on page 121
RM1-8031-000	High-voltage power supply	PCAs on page 133
RM1-8032-000	Driver PCA	PCAs on page 133
RM1-8043-000	Paper feed guide assembly (simplex model; includes transfer roller)	Internal assemblies (6 of 7) on page 129
RM1-8043-000	Paper feed guide assembly (includes transfer roller)	Internal assemblies (7 of 7) on page 131
RM1-8045-000	Paper pickup assembly	Internal assemblies (3 of 7) on page 123
RM1-8047-000	Tray 2 paper pickup roller assembly	Internal assemblies (3 of 7) on page 123
RM1-8049-000	Paper delivery assembly	Internal assemblies (5 of 7) on page 127
RM1-8051-000	Paper-pickup guide assembly	Internal assemblies (7 of 7) on page 131
RM1-8052-000	Door, rear	Internal assemblies (7 of 7) on page 131
RM1-8053-000	Rib assembly, rear-door	Internal assemblies (7 of 7) on page 131
RM1-8318-000	Multi purpose clutch assembly	Internal assemblies (3 of 7) on page 123
RM1-8544-000	Tray 3 paper cassette only	250-sheet paper feeder accessory kit (optional Tray 3) on page 135
RM1-8609-000	Fixing motor assembly	Internal assemblies (5 of 7) on page 127
RM1-8610-000	Multi purpose tray assembly	Internal assemblies (3 of 7) on page 123
RM2-0192-000	Intermediate transfer belt (ITB)	Internal assemblies (2 of 7) on page 121

Table 2-21 Numerical parts list (continued)

Part number	Description	Table and page
RM2-5299-000	Cartridge-tray assembly	Internal assemblies (1 of 7) on page 119
RM2-5300-000	Cover, top assembly	Covers on page 117
RM2-5301-000	Door, front assembly	Covers on page 117
RM2-5469-000	Cassette, Tray 2	Internal assemblies (3 of 7) on page 123
RM2-5476-000	Fixing assembly (110v)	Internal assemblies (5 of 7) on page 127
RM2-5478-000	Fixing assembly (220v)	Internal assemblies (5 of 7) on page 127
RM2-8028-000	DC controller	PCAs on page 133
RM2-8030-000	Low-voltage power supply (110v)	PCAs on page 133
RM2-8032-000	Low-voltage power supply (220v)	PCAs on page 133

